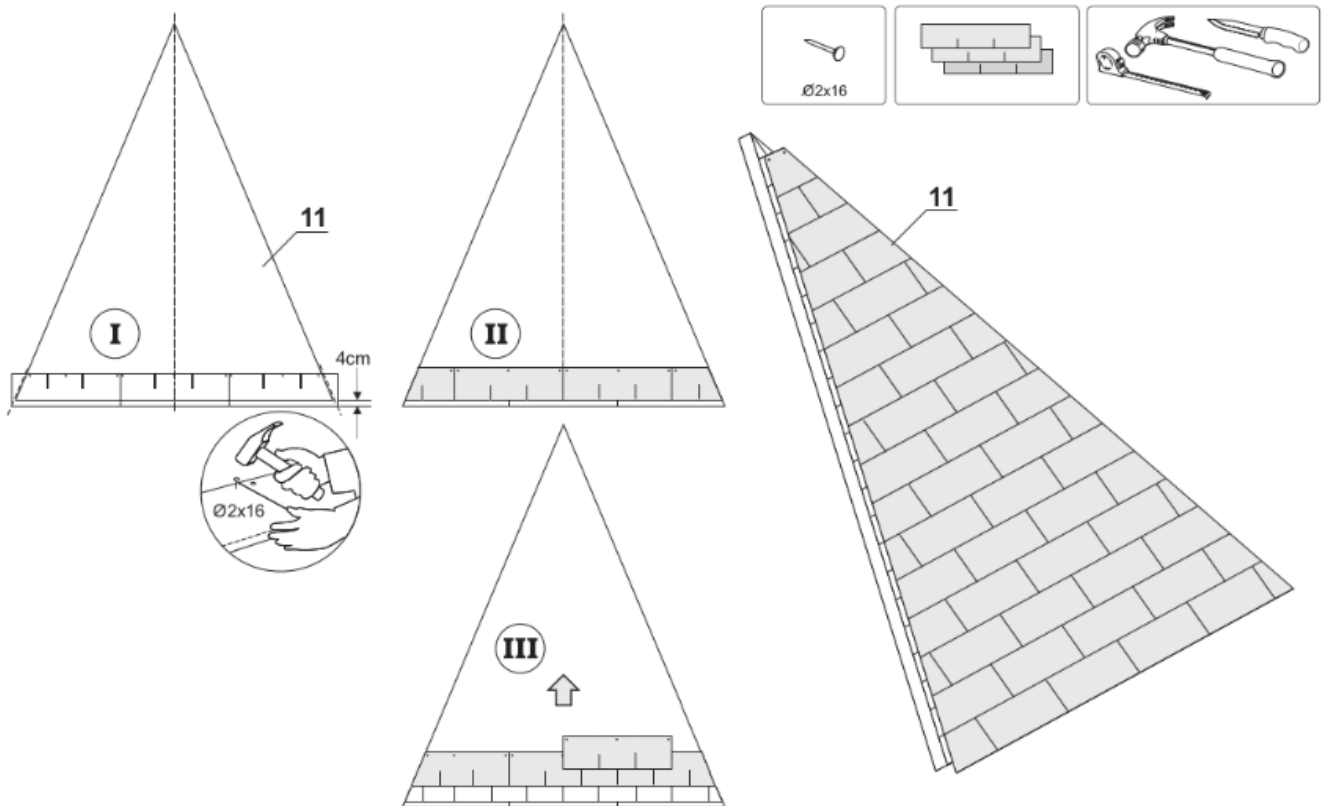


1) Screw metal corner profiles on the PVC elements

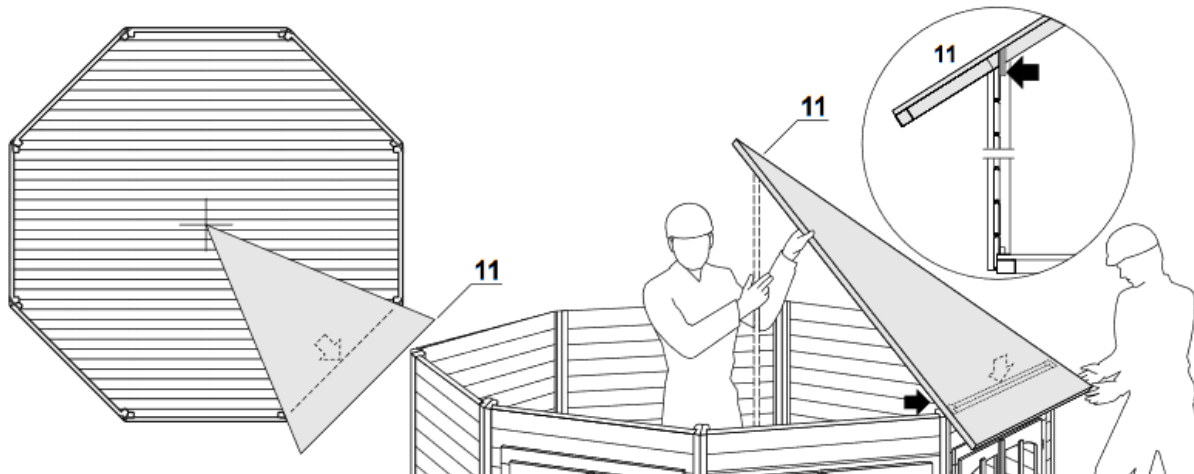


2) Put roofing shingles on the roof elements before assembling on the roof

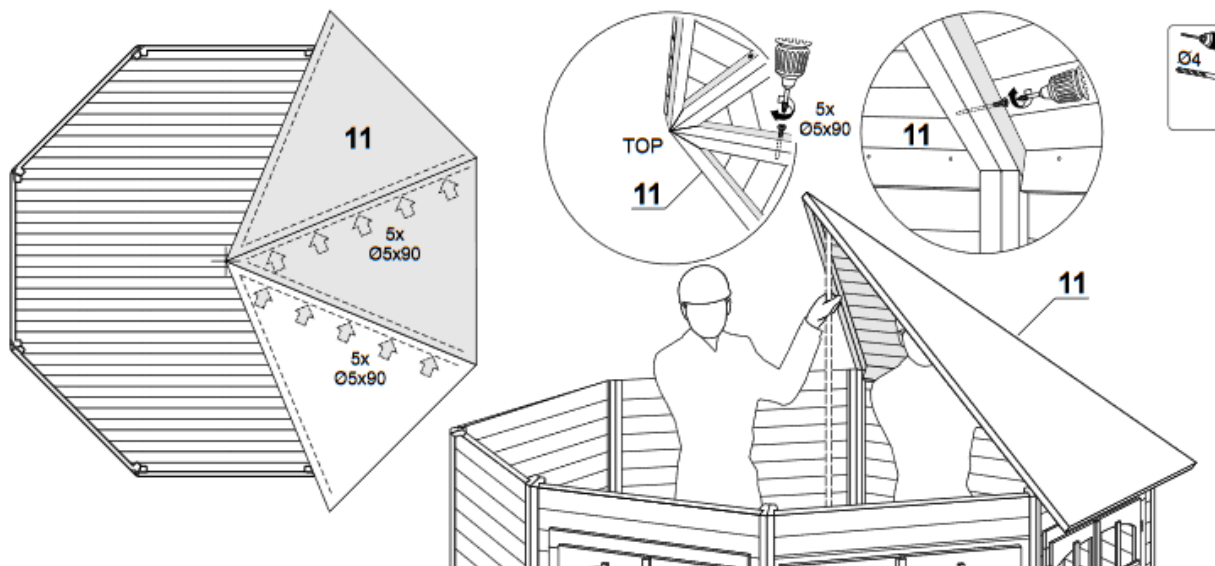
- a. 1th layer goes upside down with sufficient overhang to be able to turn under 1th roof board



- 3) Lift the first element on the wall so that the wall is placed in between the element framing
 - a. Element roof top needs to be placed in the center and supported



- 4) Lift on the 2nd element
 - a. Make shore the top lines up
 - b. Screw at least one screw as high as possible



- 5) Continue with next elements
- 6) After all elements are on in place fasten each element into the other with 5 screws
- 7) Pre-trill and screw elements from the corners into the metal corner bracket and into the PVC frame.

8) Cover the edges with shingles

